

Long Range PoE+ Switch



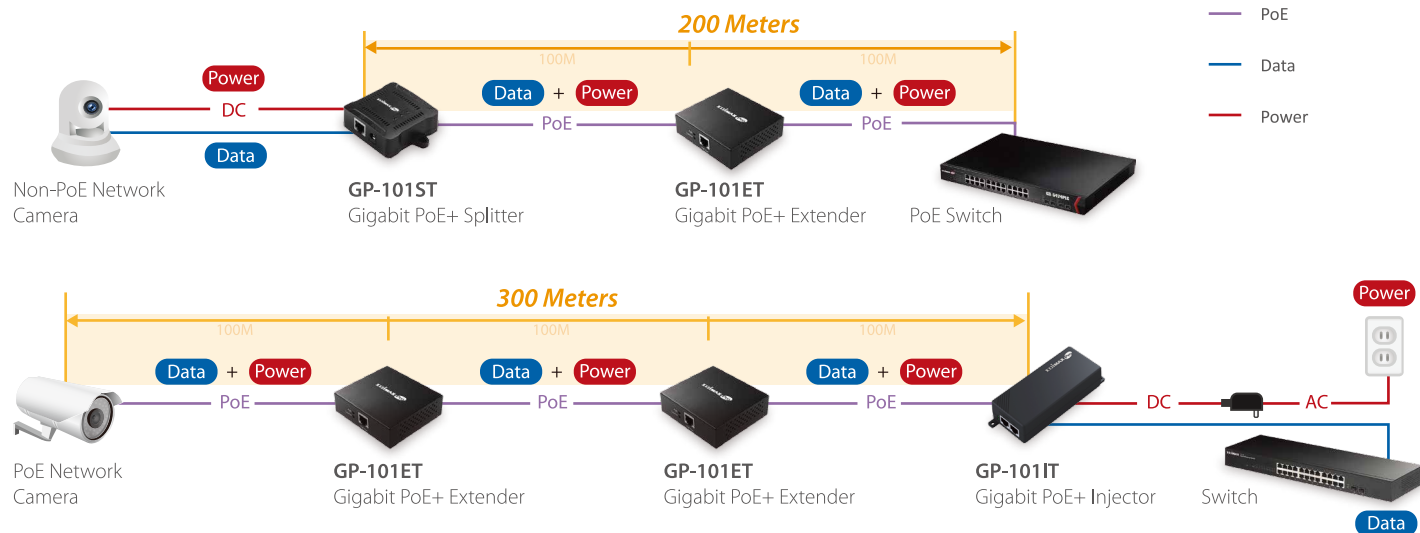
Model No.	GS-1008P V2	GS-1008PH V2	GS-1008PHEV2	ES-1008P V2	ES-1008PH V2	ES-1008PHEV2	ES-5104PH V2
Description	8-Port Gigabit PoE+ Switch with DIP Switch	8-Port Gigabit Switch with 4-Port PoE+ & DIP Switch	8-Port Gigabit Switch with 4-Port PoE+ & DIP Switch	8-Port Fast Ethernet PoE+ Switch with DIP Switch	8-Port Fast Ethernet Switch with 4-Port PoE+ & DIP Switch	8-Port Fast Ethernet Switch with 4-Port PoE+ & DIP Switch	5-Port Fast Ethernet Switch with 4-Port PoE+ & DIP Switch
Ports							
10/100Base-TX	-	-	-	8	8	8	5
10/100/1000Base-T	8	8	8	-	-	-	-
PoE Port	8	4	4	8	4	4	4
PoE Power Management							
IEEE 802.3af PoE (15.4W/P)	✓	✓	✓	✓	✓	✓	✓
IEEE 802.3at PoE (30W/P)	✓	✓	✓	✓	✓	✓	✓
PD Classification	✓	✓	✓	✓	✓	✓	✓
Overloading Protecting	✓	✓	✓	✓	✓	✓	✓
Total PoE Power Budget	130W	70W	60W	130W	70W	60W	60W
Features							
IEEE802.1q VLAN	✓ DIP Switch	✓ DIP Switch	✓ DIP Switch	✓ DIP Switch	✓ DIP Switch	✓ DIP Switch	✓ DIP Switch
IEEE802.3az Energy Efficient Ethernet	✓	✓	✓	✓	✓	✓	✓
Port-Based VLAN	✓	✓	✓	✓	✓	✓	✓
QoS	✓ DIP Switch	✓ DIP Switch	✓ DIP Switch	✓ DIP Switch	✓ DIP Switch	✓ DIP Switch	✓ DIP Switch
Fan-Less	✓	✓	✓	✓	✓	✓	✓
Power Type	Internal Power	Internal Power	External Power	Internal Power	Internal Power	External Power	External Power



Long Range PoE+ Solutions

Extends PoE Cabling Distance up to 200+ Meters

Complete PoE+ Solution



*Product specifications and design are subject to change without notice. Maximum performance, actual data rates, and coverage will vary depending on network conditions and environmental factors.



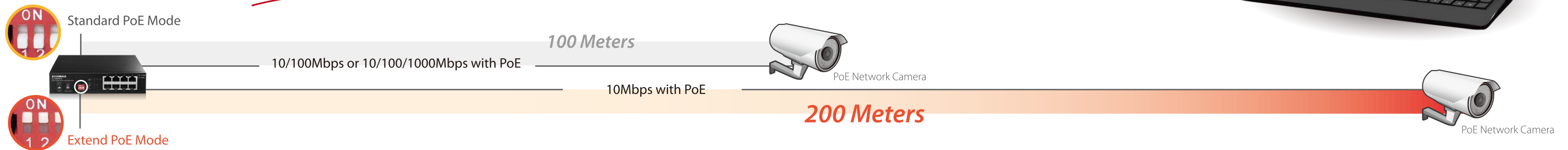
www.edimax.com

Exceptional Long Range PoE+ Solutions

The Edimax Long Range PoE+ switch series provides a flexible and cost-effective solution to power PoE-enabled IP cameras, wireless Access Points and IP phones. Also overcoming the distance limitations of 100 meters in general PoE power transmissions, the series is able to achieve a distance of up to 200 meters!

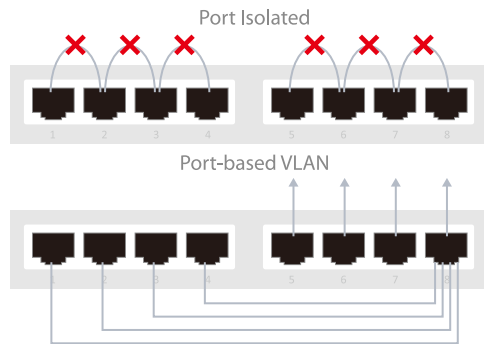
- 802.3at 30W
- CCTV Mode
- PoE+ Range 200M
- Fan-Less
- VLAN
- QoS

Double PoE Cabling Distance up to 200 Meters!



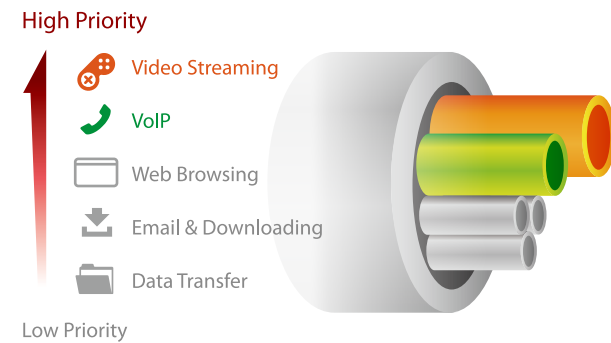
Innovative Port-Based VLAN

Features port-based VLAN, ports isolated from each other via DIP switches to prevent IP camera's multicast or broadcast storms.



Easy Hardware QoS

Supports 802.1p QoS via DIP switch that ensures top priority for video and voice traffic.



Long Range PoE+ Switch

4 PoE+ Ports : ES-5104PH V2 / ES-1008PHE V2 / ES-1008PH V2 / GS-1008PHE V2 / GS-1008PH V2
8 PoE+ Ports : ES-1008P V2 / GS-1008P V2

DIP Switch	Status	Description	ES-5104PH V2	ES-1008PHE V2	ES-1008PH V2	ES-1008P V2	GS-1008PHE V2	GS-1008PH V2	GS-1008P V2
1 (Extend)	On	Ports 1-2 as Extended PoE+ Ports	●	●	●	●	●	●	●
	Off	As Normal PoE+ Ports							
2 (Extend)	On	Ports 3-4 as Extended PoE+ Ports	●	●	●	●	●	●	●
	Off	As Normal PoE+ Ports							
3 (VLAN)	On	Ports 1-4 VLAN Enabled	●	●	●	●	●	●	●
	Off	Ports 1-4 VLAN Disabled							
4 (QoS)	On	QoS (Video & Voice Traffic High Priority) Enabled	●	●	●	●	●	●	●
	Off	QoS Disabled							
5 (Extend)	On	Port 5 as Extended PoE+ Port				●			●
	Off	As Normal PoE+ Port							
6 (Extend)	On	Port 6 as Extended PoE+ Port				●			●
	Off	As Normal PoE+ Port							
7 (Extend)	On	Port 7 as Extended PoE+ Port				●			●
	Off	As Normal PoE+ Port							
8 (VLAN)	On	Ports 5-7 VLAN Enabled				●			●
	Off	Ports 5-7 VLAN Disabled							

*Product specifications and design are subject to change without notice. Maximum performance, actual data rates, and coverage will vary depending on network conditions and environmental factors.

Flexible PoE Deployment

Features IEEE 802.3at Power over Ethernet (PoE+) port supplies up to 30 watts of electricity for quick and easy deployment of PoE-enabled devices, saving further by reducing installation and deployment cost of power cable.

Fan-Less Quiet Design

A fan-less design ensures quiet operation and enables an even more flexible and compact design.

